

PRODUCT INFORMATION PACKET



Model No: 811618.00
Catalog No: 811618.00
2 HP Variable Speed Motor, 3 phase, 1200 RPM, 230/460 V, 184TC Frame, TENV
1000:1 Speed Ratio Motors



Regal and Leeson are trademarks of Regal Beloit Corporation or one of its affiliated companies.
©2019 Regal Beloit Corporation, All Rights Reserved. MC017097E

The Regal logo is positioned in the bottom right area of the page. It features the word "REGAL" in a white, bold, sans-serif font, set against a dark grey, trapezoidal background. The background of the entire page on the right side is a blue gradient with a halftone dot pattern.



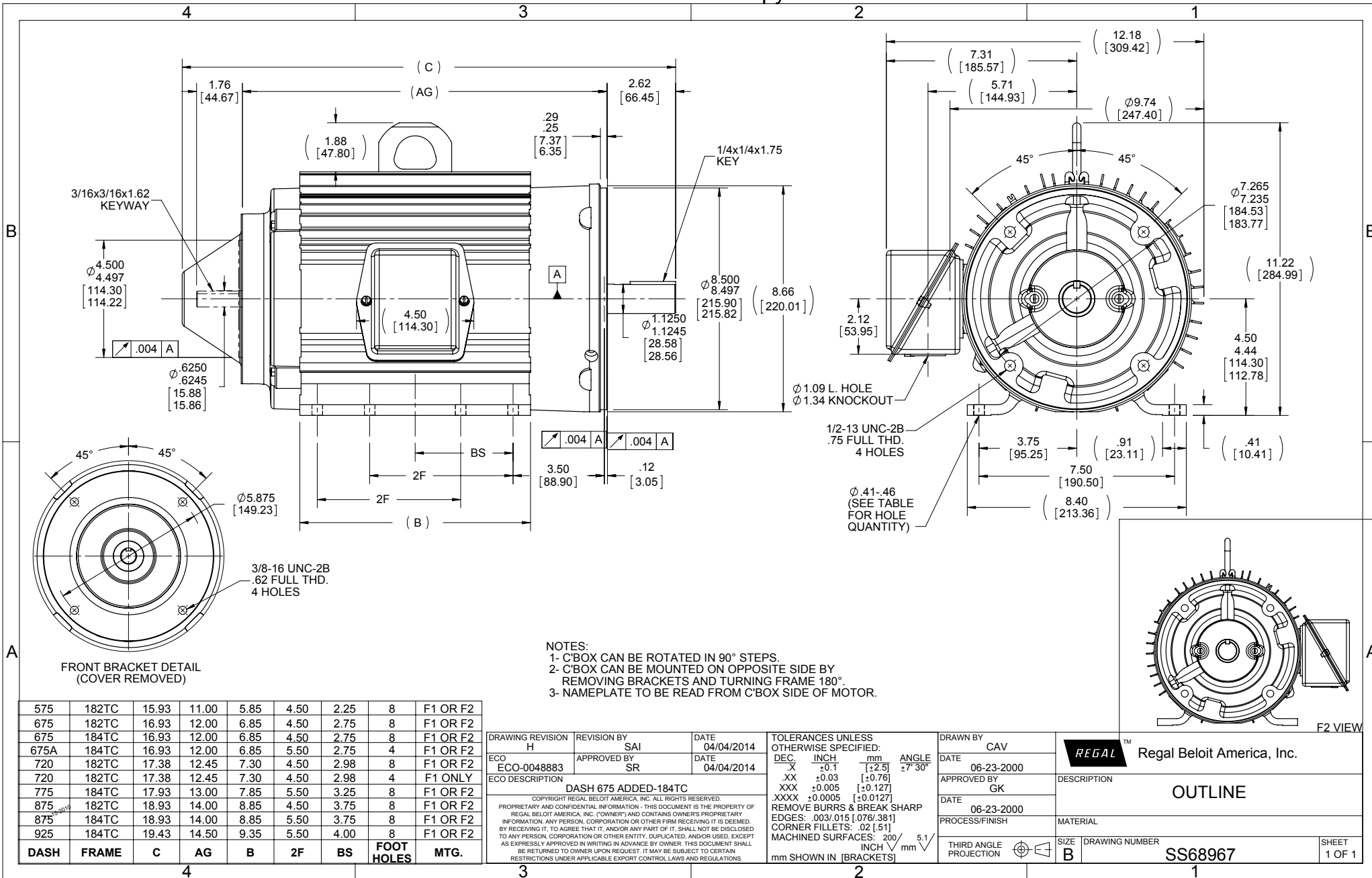
Nameplate Specifications

Output HP	2 Hp	Output KW	1.5 kW
Frequency	60 Hz	Voltage	230/460 V
Current	6.6/3.3 A	Speed	1160 rpm
Service Factor	1	Phase	3
Efficiency	82.5 %	Power Factor	67.5
Duty	Continuous	Insulation Class	F
Design Code	INV	KVA Code	L
Frame	184TC	Enclosure	Totally Enclosed Non Ventilated
Thermal Protection	No	Ambient Temperature	40 °C
Drive End Bearing Size	6207	Opp Drive End Bearing Size	6206
UL	Recognized	CSA	Y
CE	Y	IP Code	43

Technical Specifications

Electrical Type	Squirrel Cage Inverter Duty	Starting Method	Inverter Only
Poles	6	Rotation	Reversible
Resistance Main	6.45 Ohms	Mounting	Rigid Base
Motor Orientation	Horizontal	Drive End Bearing	Ball
Opp Drive End Bearing	Ball	Frame Material	Aluminum
Shaft Type	T	Overall Length	16.93 in
Frame Length	6.75 in	Shaft Diameter	1.125 in
Shaft Extension	2.75 in	Assembly/Box Mounting	F1/F2 CAPABLE

This is an uncontrolled document once printed or downloaded and is subject to change without notice. Date Created:01/11/2019



NOTES:
 1- C'BOX CAN BE ROTATED IN 90° STEPS.
 2- C'BOX CAN BE MOUNTED ON OPPOSITE SIDE BY REMOVING BRACKETS AND TURNING FRAME 180°.
 3- NAMEPLATE TO BE READ FROM C'BOX SIDE OF MOTOR.

DASH	FRAME	C	AG	B	2F	BS	FOOT HOLES	MTG.
575	182TC	15.93	11.00	5.85	4.50	2.25	8	F1 OR F2
675	182TC	16.93	12.00	6.85	4.50	2.75	8	F1 OR F2
675	184TC	16.93	12.00	6.85	4.50	2.75	8	F1 OR F2
675A	184TC	16.93	12.00	6.85	5.50	2.75	4	F1 OR F2
720	182TC	17.38	12.45	7.30	4.50	2.98	8	F1 OR F2
720	182TC	17.38	12.45	7.30	4.50	2.98	4	F1 ONLY
775	184TC	17.93	13.00	7.85	5.50	3.25	8	F1 OR F2
875	182TC	18.93	14.00	8.85	4.50	3.75	8	F1 OR F2
875	184TC	18.93	14.00	8.85	5.50	3.75	8	F1 OR F2
925	184TC	19.43	14.50	9.35	5.50	4.00	8	F1 OR F2

DRAWING REVISION H
 ECO-0048883
 REVISION BY SAI
 APPROVED BY SR
 DATE 04/04/2014
 DATE 04/04/2014
 ECO DESCRIPTION DASH 675 ADDED-184TC
 COPYRIGHT REGAL BELOIT AMERICA, INC. ALL RIGHTS RESERVED.
 PROPRIETARY AND CONFIDENTIAL INFORMATION - THIS DOCUMENT IS THE PROPERTY OF REGAL BELOIT AMERICA, INC. (OWNER) AND CONTAINS OWNER'S PROPRIETARY INFORMATION. ANY PERSON, CORPORATION OR OTHER FIRM RECEIVING IT IS DEEMED, BY RECEIVING IT, TO AGREE THAT IT, AND/OR ANY PART OF IT, SHALL NOT BE DISCLOSED TO ANY PERSON, CORPORATION OR OTHER ENTITY, DUPLICATED, AND/OR USED, EXCEPT AS EXPRESSLY APPROVED IN WRITING IN ADVANCE BY OWNER. THIS DOCUMENT SHALL BE RETURNED TO OWNER UPON REQUEST. IT MAY BE SUBJECT TO CERTAIN RESTRICTIONS UNDER APPLICABLE EXPORT CONTROL LAWS AND REGULATIONS.

TOLERANCES UNLESS OTHERWISE SPECIFIED:
 DEC. INCH mm ANGLE
 .X ±0.1 [±2.5] ±7° 30'
 .XX ±0.03 [±0.76]
 .XXX ±0.005 [±0.127]
 .XXXX ±0.0005 [±0.0127]
 REMOVE BURRS & BREAK SHARP
 EDGES: .003/.015 [0.076/3.81]
 CORNER FILLETS: .02 [51]
 MACHINED SURFACES: 200 INCH 5.1
 mm SHOWN IN [BRACKETS]

DRAWN BY CAV
 DATE 06-23-2000
 APPROVED BY GK
 DATE 06-23-2000
 PROCESS/FINISH
 THIRD ANGLE PROJECTION

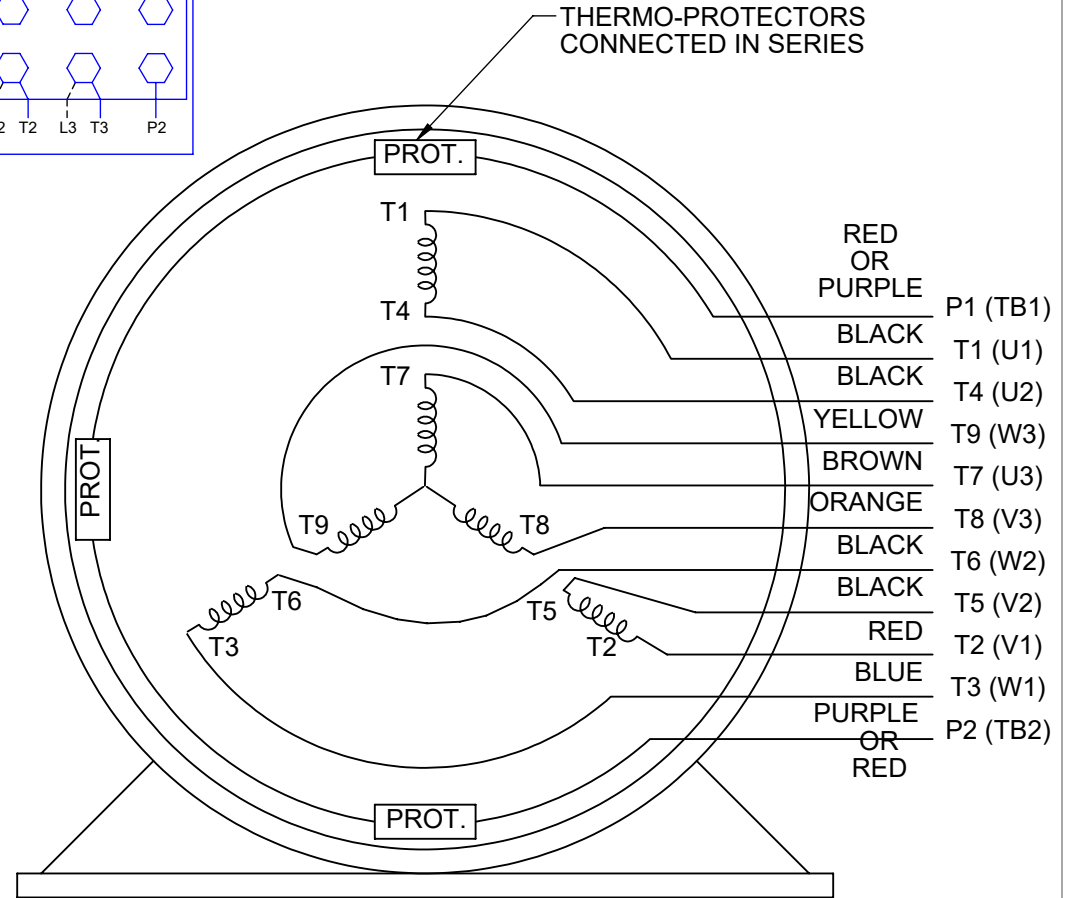
REGAL™ Regal Beloit America, Inc.
 DESCRIPTION **OUTLINE**
 MATERIAL
 SIZE **B** DRAWING NUMBER **SS68967** SHEET 1 OF 1

HIGH VOLTAGE



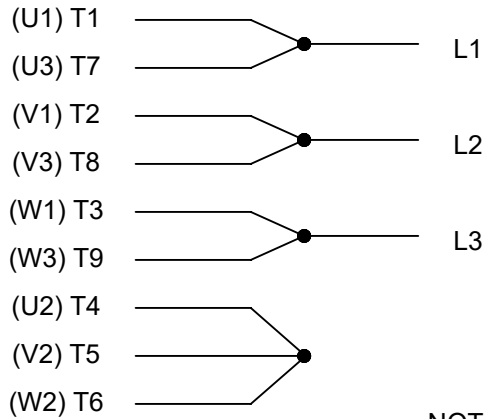
**THREE PHASE
DUAL VOLTAGE MOTOR**

THERMO-PROTECTORS
CONNECTED IN SERIES



NOTE FOR FACTORY USE ONLY:
TO SURGE TEST FOR COMMON CONNECT:
HIGH VOLT: CONNECT P1 TO T1
THEN P2 TO L1
LOW VOLT: CONNECT P1 TO T1 & T7,
THEN P2 TO L1

LOW VOLTAGE



VIEW OF TERMINAL END

NOTE: LEAD'S COLOR CAN BE YELLOW OR WHITE FOR MT2 PLANT

DRAWING REVISION T	REVISION BY ZR	DATE 01-14-2019		DRAWN BY SMC	Regal Beloit America, Inc.
ECO ECO-0159915	APPROVED BY DR	DATE 01-15-2019		DATE 05-13-1992	
ECO DESCRIPTION ADDED TERMINAL CONNECTION DIAGRAM				APPROVED BY TB	DESCRIPTION CONN DIAGRAM-INTERNAL 3 PHASE - DUAL VOLTAGE MOTOR
<small>COPYRIGHT REGAL BELOIT AMERICA, INC. ALL RIGHTS RESERVED. PROPRIETARY AND CONFIDENTIAL INFORMATION - THIS DOCUMENT IS THE PROPERTY OF REGAL BELOIT AMERICA, INC. ("OWNER") AND CONTAINS OWNER'S PROPRIETARY INFORMATION. ANY PERSON, CORPORATION OR OTHER FIRM RECEIVING IT IS DEEMED, BY RECEIVING IT, TO AGREE THAT IT, AND/OR ANY PART OF IT, SHALL NOT BE DISCLOSED TO ANY PERSON, CORPORATION OR OTHER ENTITY, DUPLICATED, AND/OR USED, EXCEPT AS EXPRESSLY APPROVED IN WRITING IN ADVANCE BY OWNER. THIS DOCUMENT SHALL BE RETURNED TO OWNER UPON REQUEST. IT MAY BE SUBJECT TO CERTAIN RESTRICTIONS UNDER APPLICABLE EXPORT CONTROL LAWS AND REGULATIONS.</small>				DATE 05-13-1992	MATERIAL
			REFERENCE EE7308/EE7300	THIRD ANGLE PROJECTION	SIZE A